

Class 150 Threaded BSP Stainless Steel Fittings



- Investment Cast
- 1/8" to 4"
- 316 (CF8M) Stainless Steel – ISO 4114
- High quality Fittings
- All Threads to ISO 7-1 (DIN 2999)
BSPP Female and BSPT Male
- NPT and Socket Options

Description

The VOLT range of 316 stainless steel fittings include sockets and nipples, elbows, tees and unions, reducers and locking nuts, blanking plugs and caps that are suitable for low pressure screwed pipe connection. This range provides high quality and competitively priced stainless steel screwed fittings.

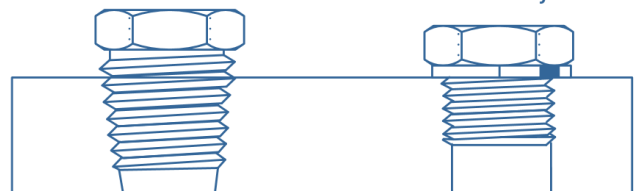
CE approved stainless steel threaded fittings manufactured in accordance with ISO 9001:2008 quality system 150 PSI working pressure and up to 220°C. Male connection BSPT and Female BSPP.

Information

All the male threads are BSPT and the female are all parallel unless stated. All fittings are 100% leakage tested at 6 Bar. The term 150lb is generally used to determine the pressure rating of 150 psi/g. mill certificates are available on request. NPT 150lb and Socket Weld 150lb are available.

Temperature (°C)	Maximum Working pressure (Bar)
minus 20°C to 40°C	20
100°C	16.5
150°C	15
200°C	14
220°C	13.5

Using tapered threads on parallel threads, sealing is on the threads themselves, however we would recommend using some form of PTFE tape.



Tapered Thread

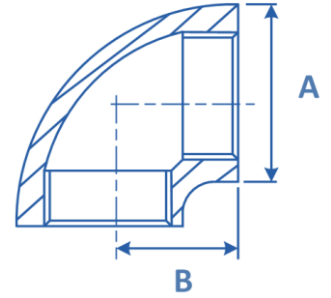
Parallel Thread

Using parallel threads on parallel threads an O-Ring or Dowty washer is necessary.

90° ELBOW F/F



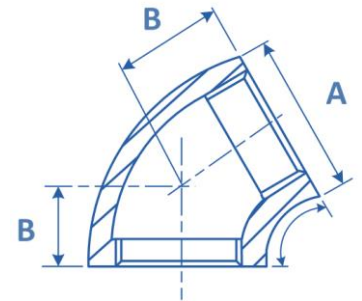
Size	A	B	Weight
1/8"	18	18	0.03
1/4"	21	20	0.04
3/8"	24	21	0.06
1/2"	29	27	0.09
3/4"	35	33	0.12
1"	43	38	0.21
1.1/4"	52	45	0.33
1.1/2"	58	50	0.4
2"	71	58	0.61
2.1/2"	87	69	1.06
3"	99	78	1.25



45° ELBOW F/F



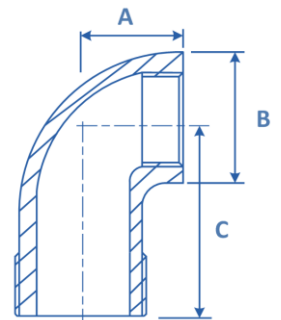
Size	A	B	Weight
1/8"	18	18	0.03
1/4"	21	19	0.05
3/8"	26	21	0.08
1/2"	31	22	0.11
3/4"	37	25	0.14
1"	45	31	0.23
1.1/4"	55	33	0.37
1.1/2"	62	37	0.47
2"	75	43	0.71
2.1/2"	87	49	0.86
3"	99	54	1.2



90° ELBOW M/F



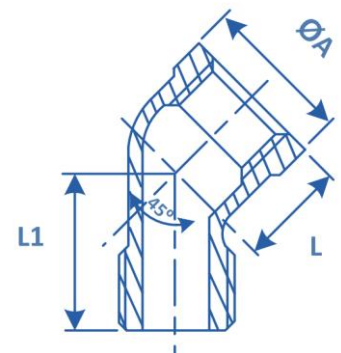
Size	A	B	C	Weight
1/8"	15	19	26	0.03
1/4"	18	19	28	0.06
3/8"	23	23	35	0.06
1/2"	29	29	42	0.12
3/4"	35	33	51	0.15
1"	43	38	52	0.24
1.1/4"	52	45	60	0.36
1.1/2"	58	50	65	0.42
2"	71	58	74	0.69
2.1/2"	84	68	100	1.21
3"	96	78	116	1.8
4"	121	97	147	4.46



45° ELBOW M/F



Size	A	L	L1	Weight
1/4"	21	17	23	0.02
3/8"	25	19	27	0.03
1/2"	29	21	31	0.06
3/4"	35	25	36	0.08
1"	43	29	42	0.15
1.1/4"	52	34	49	0.2
1.1/2"	58	37	51	0.25
2"	59	42	59	0.36

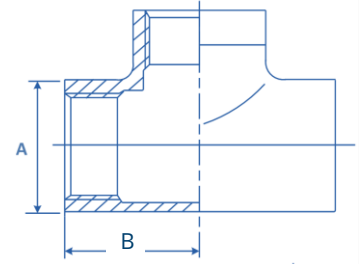


**DIMENSIONS ARE A
GUIDE AND MAY VARY**

Tee



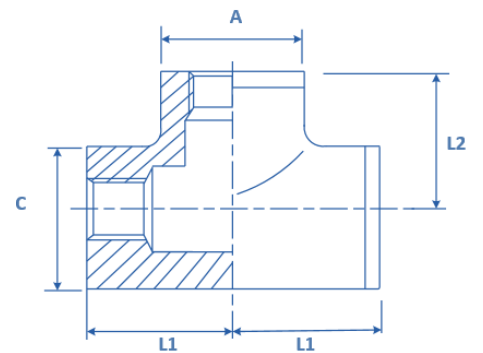
Size	A	B	Weight
1/8"	18	18	0.04
1/4"	21	20	0.05
3/8"	24	21	0.09
1/2"	29	27	0.12
3/4"	35	33	0.19
1"	43	38	0.31
1.1/4"	52	45	0.46
1.1/2"	58	50	0.66
2"	71	58	0.81
2.1/2"	87	69	1.88
3"	99	78	2.03
4"	126	96	3.08



Reducing Tee



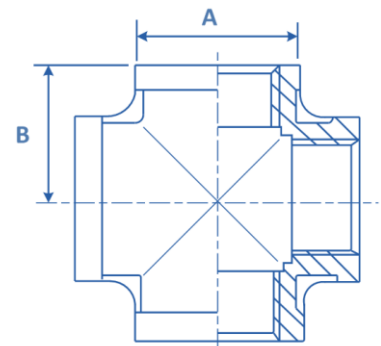
Size	A	C	L1	L2	Weight
1/2" x 1/4"	19	27.5	24.5	24.5	0.12
1/2" x 3/8"	22.5	27.5	27.5	25.5	0.12
3/4" x 3/8"	27.5	33	29.5	30.5	0.2
3/4" x 1/2"	27.5	33	29.5	30.5	0.2
1 x 1/2"	33	40.5	32.5	33.5	0.32
1 x 3/4"	27.5	40.5	34.5	35.5	0.32
1.1/4" x 3/4"	33	50	50	38.5	0.47
1.1/4" x 1"	40.5	50	50	40.5	0.46
1.1/2" x 3/4"	33	56.5	38.5	43.5	0.57
1.1/2" x 1"	40.5	56.5	41.5	45.5	0.58
1.1/2" x 1.1/4"	50	56.5	45.5	48.5	0.58
2" x 3/4"	33	69	41.5	49.5	82
2" x 1.1/4"	50	70	0.5	54.5	82
2" x 1.1/2"	56.5	70	52.5	55.5	82



Equal cross



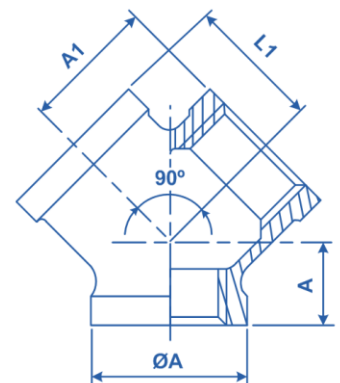
Size	A	B	Weight
1/8"	15	17	0.075
1/4"	20	19	0.098
3/8"	23	23	0.099
1/2"	28	27	0.15
3/4"	35	32	0.22
1"	44	38	0.35
1.1/4"	53	46	53
1.1/2"	58	48	64
2"	71	56	95
2.1/2"	87	69	2.35
3"	99	78	3.7



Y - Tee



Size	A	L1/A1	øA	Weight
1/4"	13	19	21	0.04
3/8"	14	23	25	0.06
1/2"	18	27	29	0.09
3/4"	20	32	35	0.12
1"	23	38	43	0.21
1.1/4"	28	46	52	0.33
1.1/2"	30	48	58	0.4
2"	34	57	71	0.61



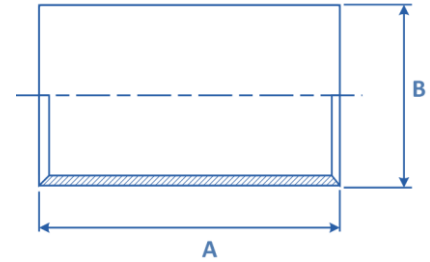
DIMENSIONS ARE A GUIDE AND MAY VARY

All information is sourced from our manufacturer's data and is intended for guidance only - Valves Online can accept no liability for changes, omissions or errors.

Full Socket



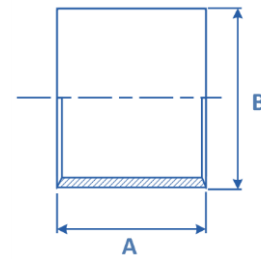
Size	A	B	Weight
1/8"	14	17	0.04
1/4"	18.5	25	0.09
3/8"	21.3	26	0.15
1/2"	26.4	34	0.27
3/4"	31.8	36	0.38
1"	39.5	43	0.61
1.1/4"	48.3	47	0.93
1.1/2"	54.5	48	1.16
2"	66.3	56	1.6
2.1/2"	82	65	2.2
3"	95	71	3



Half Socket



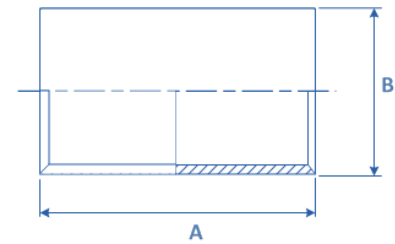
Size	A	B	Weight
1/8"	7	14	0.01
1/4"	11	18.5	0.02
3/8"	12	21.3	0.03
1/2"	15	26.4	0.06
3/4"	16	31.8	0.08
1"	20	39.5	0.15
1.1/4"	22	48.3	0.2
1.1/2"	22	54.5	0.25
2"	26	66.3	0.36
2.1/2"	30	82	0.47
3"	33	95	0.66



Weld Socket



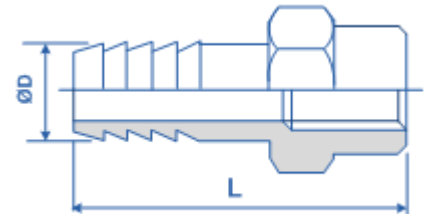
Size	A	B	Weight
1/8"	14	17	0.04
1/4"	18.5	25	0.09
3/8"	21.3	26	0.15
1/2"	26.4	34	0.27
3/4"	31.8	36	0.38
1"	39.5	43	0.61
1.1/4"	48.3	47	0.93
1.1/2"	54.5	48	1.16
2"	66.3	56	1.6
2.1/2"	82	65	2.2
3"	95	71	3



Female Hosetail



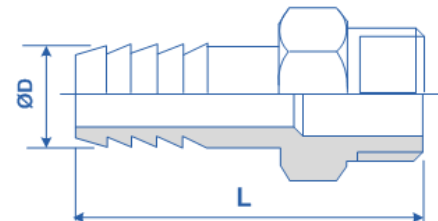
Size	L	øD	Weight
1/4"	53	6.35	0.07
1/2"	62	12.7	0.1
3/4"	63.5	19	0.17
1"	66	25.5	0.22
1 1/4"	74	31.7	0.4
1 1/2"	87.5	38	0.48
2"	94	51	0.6



Hosetail



Size	L	øD	Weight
1/8"	47	6.3	0.03
1/4"	47	8	0.03
3/8"	55	9.5	0.045
1/2"	64	12.7	0.067
3/4"	68	19.05	0.12
1"	71	25.4	0.17
1.1/4"	80	31.8	0.3
1.1/2"	95	38.1	0.39
2"	105	50.8	0.62
2.1/2"	107	63.5	1.04
3"	112	76.2	1.58
4"	130	101.6	2.15



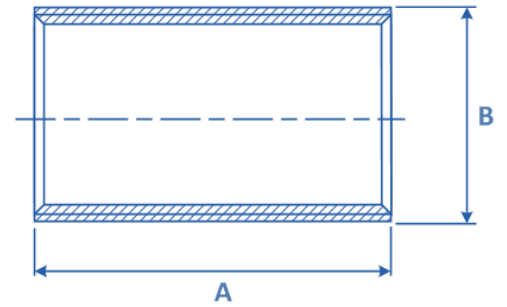
DIMENSIONS ARE A GUIDE AND MAY VARY

All information is sourced from our manufacturer's data and is intended for guidance only- Valves Online can accept no liability for changes, omissions or errors.

Parallel Nipple



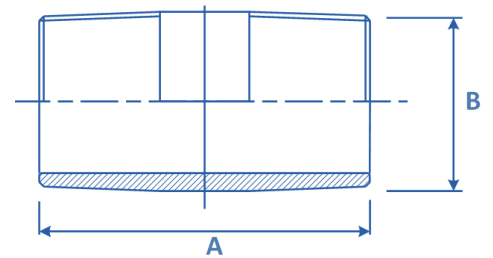
Size	A	B	Weight
1/4"	13.5	18	0.6
3/8"	17.2	22	0.09
1/2"	21.3	25	0.1
3/4"	26.9	30	0.2
1"	33.7	35	0.3
1.1/4"	42.4	38	0.4
1.1/2"	48.3	38	0.6
2"	60.3	45	1.1
2.1/2"	76.1	55	1.9
3"	88.9	60	2.2
4"	114.3	70	5.5



Barrel Nipple



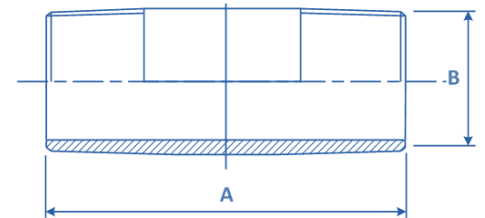
Size	B	A	Weight
1/8"	30	10.2	0.13
1/4"	30	13.5	0.21
3/8"	40	17.2	0.25
1/2"	60	21.3	0.66
3/4"	60	26.9	0.85
1"	60	33.7	0.19
1.1/4"	80	42.4	0.24
1.1/2"	80	48.3	0.25
2"	100	60.3	0.42
2.1/2"	100	76	0.9
3"	120	88.9	1.04



Long Barrel Nipple



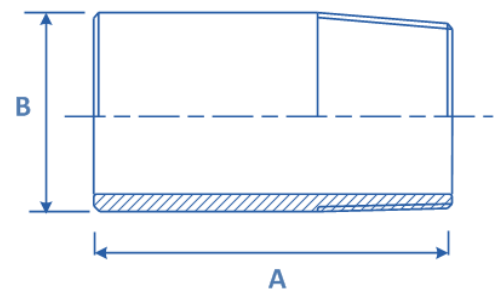
Size	A	B 100 Long	B 150 Long
1/8"	10.2	100	150
1/4"	13.5	100	150
3/8"	17.2	100	150
1/2"	21.36	100	150
3/4"	26.9	100	150
1"	33.7	100	150
1.1/4"	42.4	100	150
1.1/2"	48.3	100	150
2"	60.3	100	150
2.1/2"	76.1	100	150
3"	89	100	150



Weld Nipple



Size	A	B	Weight
1/8"	10.2	30	0.011
1/4"	13.5	30	0.017
3/8"	17.2	30	0.02
1/2"	21.3	35	0.04
3/4"	26.9	40	0.06
1"	33.7	40	0.08
1.1/4"	42.4	50	0.15
1.1/2"	48.3	50	0.16
2"	60.3	50	0.21
2.1/2"	76	60	0.31
3"	89	70	0.64



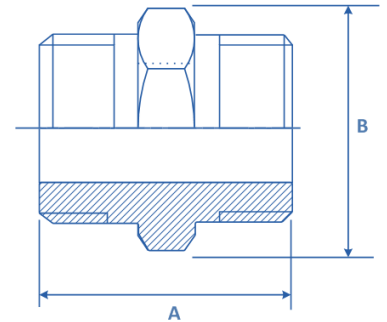
DIMENSIONS ARE A GUIDE AND MAY VARY

All information is sourced from our manufacturer's data and is intended for guidance only - Valves Online can accept no liability for changes, omissions or errors.

Hex. Nipple



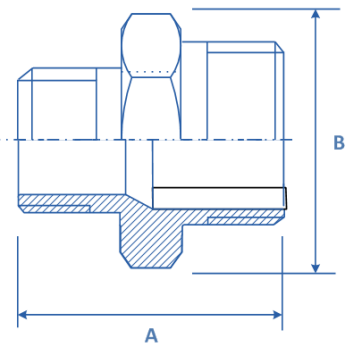
Size	A	B	Weight
1/8"	12	24	0.016
1/4"	16	28	0.02
3/8"	19	28	0.04
1/2"	22	34	0.07
3/4"	30	40	0.09
1"	36	46	0.14
1.1/4"	46	53	0.2
1.1/2"	50	54	0.3
2"	66	62	0.42
2.1/2"	80	70	0.75
3"	90	78	0.9



Hex. Red. Nipple



Size	A	B	Weight
1/8" x 1/4"	18	34	0.23
3/8" x 1/8"	21	36	0.32
3/8" x 1/4"	21	34	0.37
1/2" x 1/8"	26	34	0.48
1/2" x 1/4"	26	34	0.46
1/2" x 3/8"	26	41	0.5
3/4" x 1/4"	30	37	0.87
3/4" x 3/8"	30	37	0.96
3/4" x 1/2"	30	45	0.85
1" x 1/4"	35	39	0.12
1" x 3/8"	35	40	0.11
1" x 1/2"	35	43	0.13
1" x 3/4"	37	50	0.13
1.1/4" x 1/2"	46	48	0.22
1.1/4" x 3/4"	46	52	0.18
1.1/4" x 1"	46	54	0.24
1.1/2" x 1/2"	50	49	0.25
1.1/2" x 3/4"	50	53	0.24
1.1/2" x 1"	50	53	0.27
1.1/2" x 1.1/4"	50	59	0.26
2" x 1/2"	63	52	0.32
2" x 3/4"	63	56	0.32
2" x 1"	63	57	0.43
2" x 1.1/4"	63	58	0.35
2" x 1.1/2"	64	64	0.39
2.1/2" x 1.1/2"	80	66	0.72
2.1/2" x 2"	76	77	0.74
3" x 1.1/2"	95	72	0.96
3" x 2"	95	74	0.94
3" x 2.1/2"	95	84	1.07
4" x 2"	125	82	1.96
4" x 2.1/2"	125	82	1.8
4" x 3"	117	94	1.6

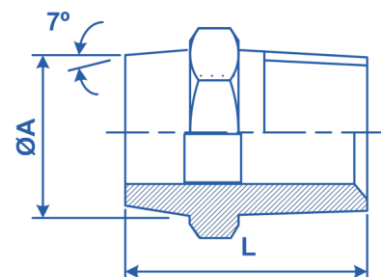


DIMENSIONS ARE A GUIDE AND MAY VARY

Male Weld Hex. Nipple



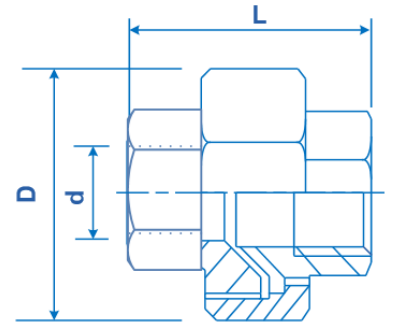
Size	ØA	L	Weight
1/4"	14	30.6	0.6
3/8"	17.2	31.8	0.09
1/2"	20.7	36.4	0.1
3/4"	26.6	38.1	0.2
1"	32.9	42.9	0.3
1.1/4"	41.3	49.2	0.4
1.1/2"	48	54	0.6
2"	60.3	55.6	1.1



Conical Union F x F



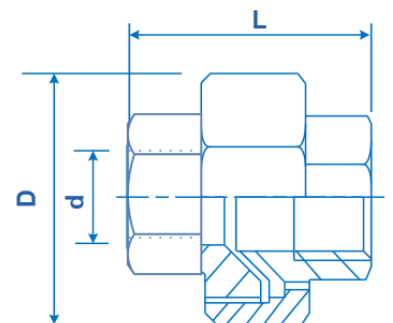
Size d	D	L	Weight
1/8"	25	31	0.11
1/4"	30	34	0.09
3/8"	35	38	0.14
1/2"	42	41	0.14
3/4"	47	43	0.21
1"	53	52	0.34
1.1/4"	71	55	0.5
1.1/2"	78	59	0.71
2"	92	66	0.99
2.1/2"	12	83	1.53
3"	126	92	2.03



Union F x F PTFE Seal



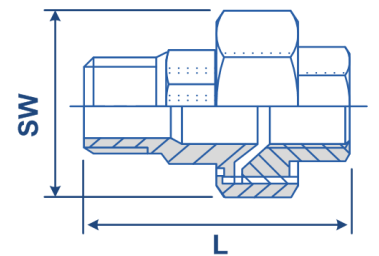
Size d	D	L	Weight
1/8"	25	31	0.11
1/4"	30	34	0.09
3/8"	35	38	0.14
1/2"	42	41	0.14
3/4"	47	43	0.21
1"	53	52	0.34
1.1/4"	71	55	0.5
1.1/2"	78	59	0.71
2"	92	66	0.99
2.1/2"	12	83	1.53
3"	126	92	2.03



Conical Union F x M



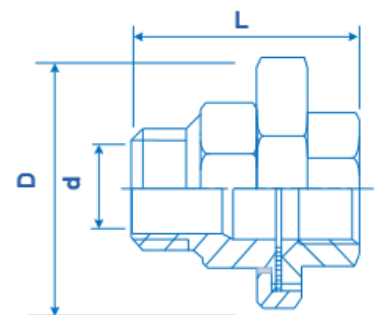
Size	SW	L	Weight
1/8"	25	40	0.9
1/4"	30	50	0.9
3/8"	35	50	0.13
1/2"	42	57	0.16
3/4"	47	66	0.32
1"	53	68	0.4
1.1/4"	71	83	0.6
1.1/2"	78	86	0.84
2"	92	94	1.2
2.1/2"	112	140	1.6
3"	126	135	2.2



Union F x M PTFE Seal



Size	SW	L	Weight
1/8"	25	40	0.9
1/4"	30	50	0.9
3/8"	35	50	0.13
1/2"	42	57	0.16
3/4"	47	66	0.32
1"	53	68	0.4
1.1/4"	71	83	0.6
1.1/2"	78	86	0.84
2"	92	94	1.2
2.1/2"	112	140	1.6
3"	126	135	2.2



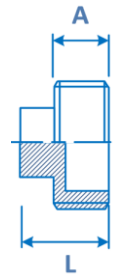
DIMENSIONS ARE A GUIDE AND MAY VARY

All information is sourced from our manufacturer's data and is intended for guidance only - Valves Online can accept no liability for changes, omissions or errors.

Square Head Plug



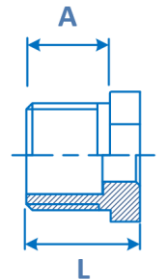
Size	A	L	Weight
1/8"	7	11	0.005
1/4"	9.5	16	0.014
3/8"	10	16	0.02
1/2"	13.5	22.5	0.035
3/4"	14	24.5	0.057
1"	15	26	0.107
1.1/4"	18	29	0.14
1.1/2"	18	30	0.17
2"	22.5	36	0.3
2.1/2"	25	42	0.36
3"	27	42	0.55
4"	33	52	1.05



Hex. Plug



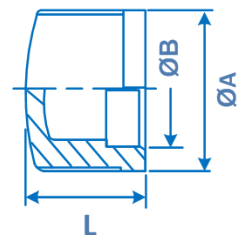
Size	A	L	Weight
1/8"	11	17	0.011
1/4"	13	19	0.019
3/8"	13	19	0.034
1/2"	16	23	0.044
3/4"	17.5	25.5	0.64
1"	20	28.5	0.94
1.1/4"	21	30	0.16
1.1/2"	21	30.5	0.2
2"	26	35	0.33
2.1/2"	30	40	0.67
3"	33	44	0.82
4"	36	48.5	1.27



Round Cap



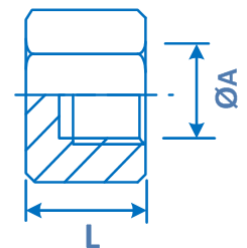
Size	A	B	L	Weight
1/8"	18	11	15	0.017
1/4"	21	14	17	0.29
3/8"	24	17.8	17	0.036
1/2"	27	22	19	0.043
3/4"	35	27.4	24	0.12
1"	42	34	29	0.12
1.1/4"	52	43	32	0.18
1.1/2"	58	49	34	0.22
2"	69	61.5	38	0.36
2.1/2"	91	74	43	0.47
3"	106	90	48	0.8



Hex. End Cap



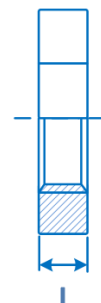
Size	L	Weight
1/8"	13	0.005
1/4"	17	0.014
3/8"	19	0.02
1/2"	20	0.035
3/4"	24	0.057
1"	25	0.107
1.1/4"	28	0.14
1.1/2"	28	0.17
2"	34	0.3
2.1/2"	40	0.36
3"	45	0.55
4"	50	1.05



Hex. Locknut



Size	A	Weight
1/8"	6.2	0.005
1/4"	7	0.014
3/8"	8	0.02
1/2"	10	0.035
3/4"	11	0.057
1"	10	0.107
1.1/4"	11	0.14
1.1/2"	12	0.17
2"	13	0.3
2.1/2"	16	0.36
3"	19	0.55
4"	20	1.05



DIMENSIONS ARE A GUIDE AND MAY VARY

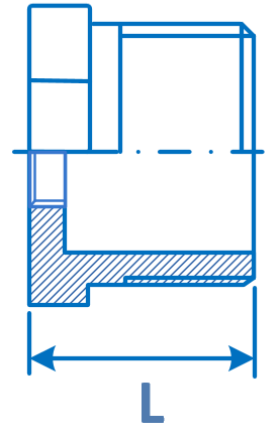
All information is sourced from our manufacturer's data and is intended for guidance only - Valves Online can accept no liability for changes, omissions or errors.

Red. Hex. Bush



Size	SW	L	Weight
1/8" x 1/4"	16	15	0.012
3/8" x 1/8"	18	17	0.024
3/8" x 1/4"	18	17	0.018
1/2" x 1/8"	26	21	0.033
1/2" x 1/4"	26	21	0.043
1/2" x 3/8"	26	21	0.023
3/4" x 1/4"	30	24	0.067
3/4" x 3/8"	30	24	0.061
3/4" x 1/2"	30	24	0.052
1" x 1/4"	35	27	0.1
1" x 3/8"	35	27	0.1
1" x 1/2"	35	27	0.09
1" x 3/4"	35	27	0.078
1.1/4" x 1/2"	45	30	0.166
1.1/4" x 3/4"	45	30	0.188
1.1/4" x 1"	45	30	0.179
1.1/2" x 1/2"	46	30	0.128
1.1/2" x 3/4"	52	36	0.226
1.1/2" x 1"	52	36	0.2
1.1/2" x 1.1/4"	52	36	0.14
2" x 1/2"	52	36	0.38
2" x 3/4"	63	36	0.34
2" x 1"	63	36	0.29
2" x 1.1/4"	63	36	0.65
2" x 1.1/2"	63	36	0.51
2.1/2" x 1.1/2"	63	36	0.98
2.1/2" x 2"	81	45	0.85
3" x 1.1/2"	81	45	0.71
3" x 2"	95	47	1.78
3" x 2.1/2"	95	47	1.6
4" x 2"	119	47	1.21
4" x 2.1/2"	119	52	1.8
4" x 3"	119	52	1.6

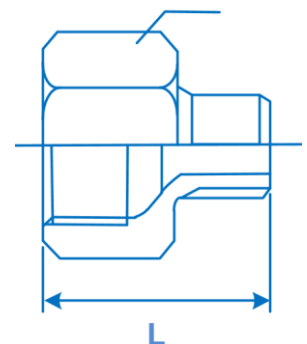
SW



Hex. Adapter M x F



SW



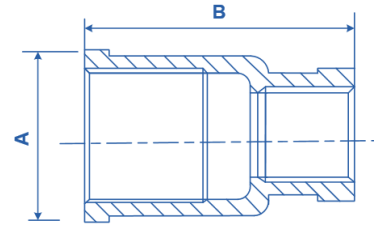
DIMENSIONS ARE A GUIDE AND MAY VARY

All information is sourced from our manufacturer's data and is intended for guidance only - Valves Online can accept no liability for changes, omissions or errors.

Reducing Socket



Size	A	B	Weight
1/8" x 1/4"	16	15	0.012
3/8" x 1/8"	18	17	0.024
3/8" x 1/4"	18	17	0.018
1/2" x 1/8"	26	21	0.033
1/2" x 1/4"	26	21	0.043
1/2" x 3/8"	26	21	0.023
3/4" x 1/4"	30	24	0.067
3/4" x 3/8"	30	24	0.061
3/4" x 1/2"	30	24	0.052
1" x 1/4"	35	27	0.1
1" x 3/8"	35	27	0.1
1" x 1/2"	35	27	0.09
1" x 3/4"	35	27	0.078
1.1/4" x 1/2"	45	30	0.166
1.1/4" x 3/4"	45	30	0.188
1.1/4" x 1"	45	30	0.179
1.1/2" x 1/2"	45	30	0.128
1.1/2" x 3/4"	52	36	0.226
1.1/2" x 1"	52	36	0.2
1.1/2" x 1.1/4"	52	36	0.14
2" x 1/2"	52	36	0.38
2" x 3/4"	63	36	0.34
2" x 1"	63	36	0.29
2" x 1.1/4"	63	36	0.65
2" x 1.1/2"	63	36	0.51
2.1/2" x 1.1/2"	63	36	0.98
2.1/2" x 2"	81	45	0.85
3" x 1.1/2"	81	45	0.71
3" x 2"	95	47	1.78
3" x 2.1/2"	95	47	1.6
4" x 2"	119	47	1.21
4" x 2.1/2"	119	52	1.8
4" x 3"	119	52	1.6



DIMENSIONS ARE A GUIDE AND MAY VARY

Female Munsen



Back Plate 90° Elbow



Back Plate



Male U Bolt Grip



Threaded Rod



Male Tank connector



Valves Online stock the stainless steel fittings and continue to develop the range. We also carry stocks of NPT 150 lb , socket weld 150lb.

DIMENSIONS ARE A GUIDE AND MAY VARY

All information is sourced from our manufacturer's data and is intended for guidance only - Valves Online can accept no liability for changes, omissions or errors.